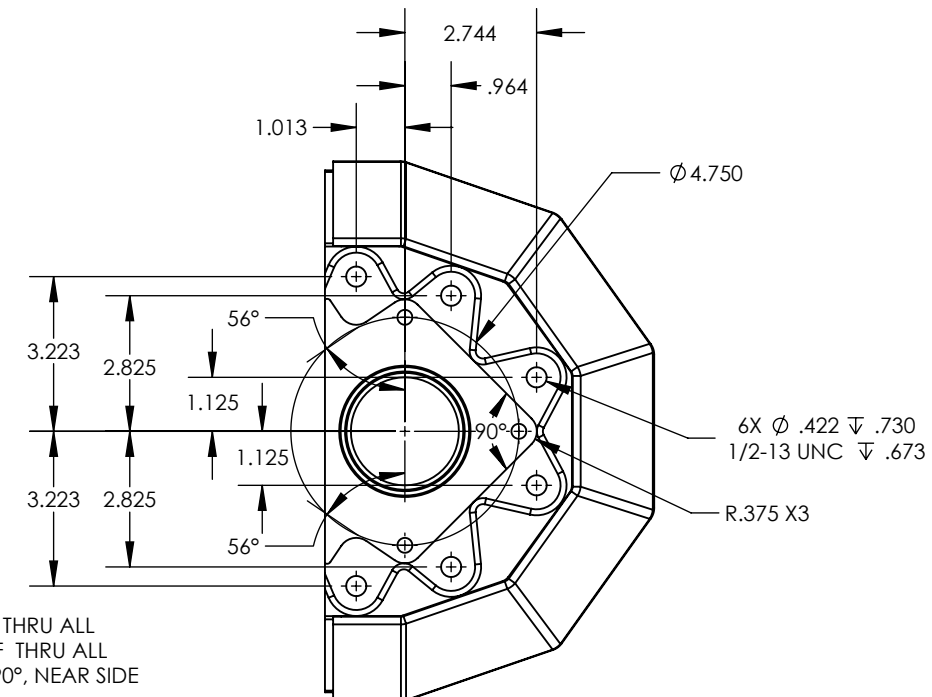
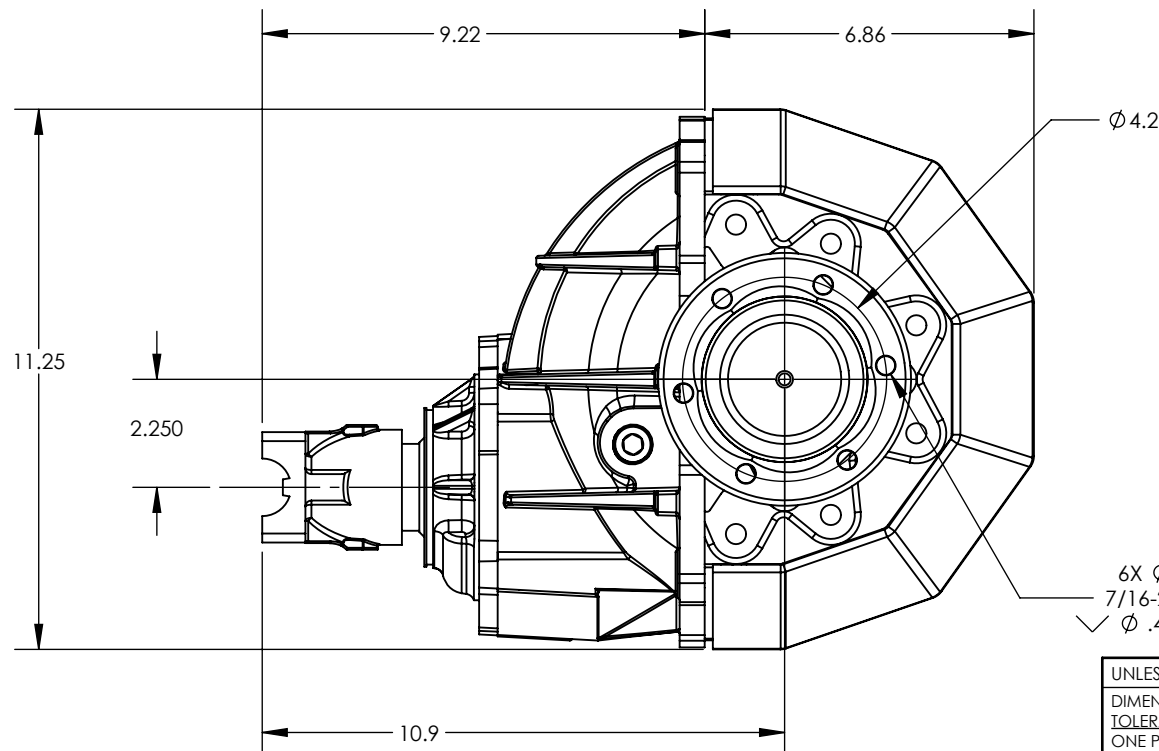
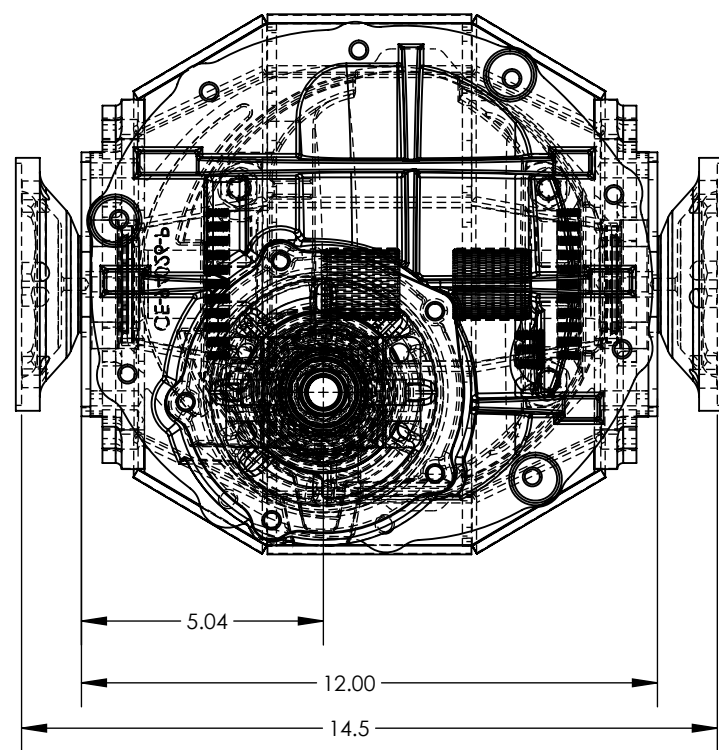
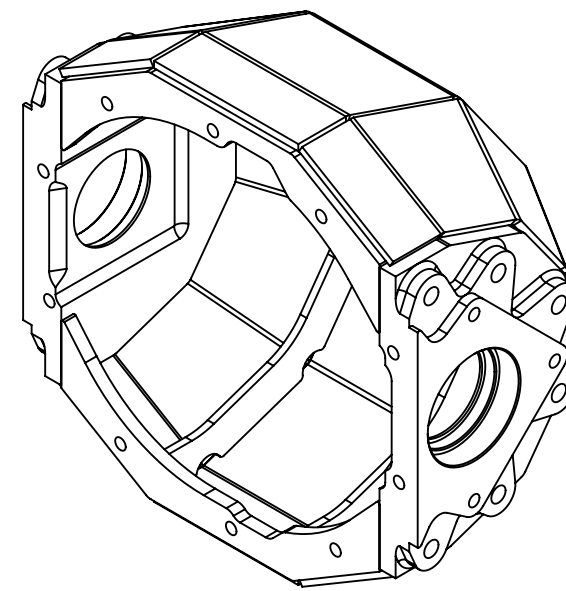
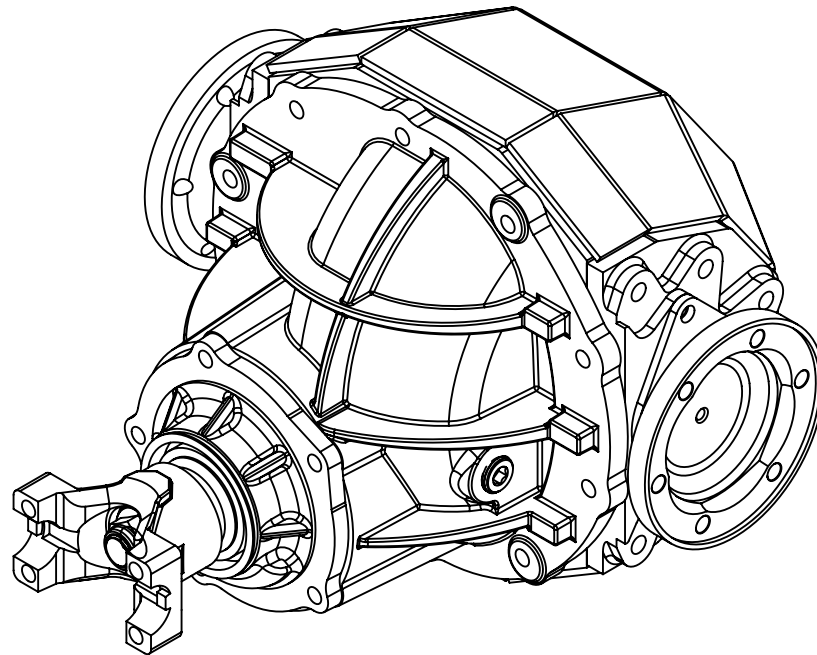
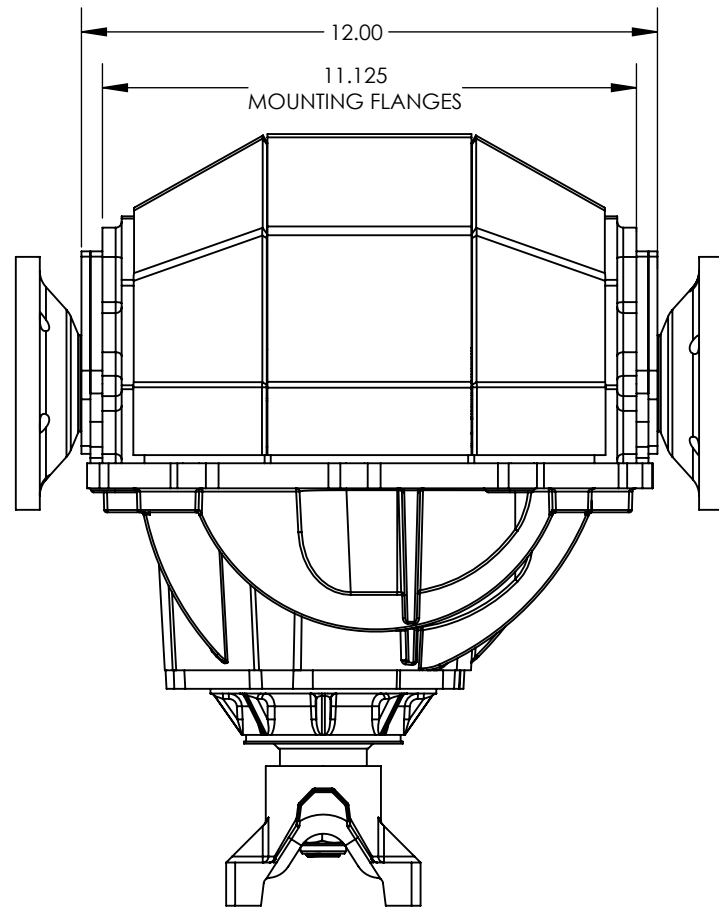


4

3

2

1



6X Ø .391 THRU ALL
7/16-20 UNF THRU ALL
✓ Ø .455 X 90°, NEAR SIDE

UNLESS OTHERWISE SPECIFIED:
DIMENSIONS ARE IN INCHES
TOLERANCES:
ONE PLACE DECIMAL ± 0.03
TWO PLACE DECIMAL ± 0.01
THREE PLACE DECIMAL ± 0.005
ANGULAR:
NO DECIMAL ± 1
ONE PLACE DECIMAL ± 0.2
MATERIAL
FINISH
HEAT TREAT

	NAME	DATE
DRAWN	HV	
CHECKED		
ENG APPR.		
MFG APPR.		
Q.A.		

PROPRIETARY AND CONFIDENTIAL
THE INFORMATION CONTAINED IN THIS DRAWING IS THE SOLE PROPERTY OF CURRIE ENTERPRISES. ANY REPRODUCTION IN PART OR AS A WHOLE WITHOUT THE WRITTEN PERMISSION OF CURRIE ENTERPRISES IS PROHIBITED.

CURRIE 382 NORTH SMITH
CORONA, CA 92878

CURRIE FABRICATED HOUSING
INDEPENDENT CENTER - 35 SPLINE AXLES -
934 CV AXLES - HOUSING VENT
LOOSE/NOT DRILLED - COMPLETE KIT
W/MOUNTING PLATES - 14.5 WIDE
FLANGE TO FLANGE

SIZE	PART NO.	REV
B	CE-4305B	A
SCALE: 1:4	WEIGHT:	SHEET 1 OF 1

4

3

2

1

B

B

A

A